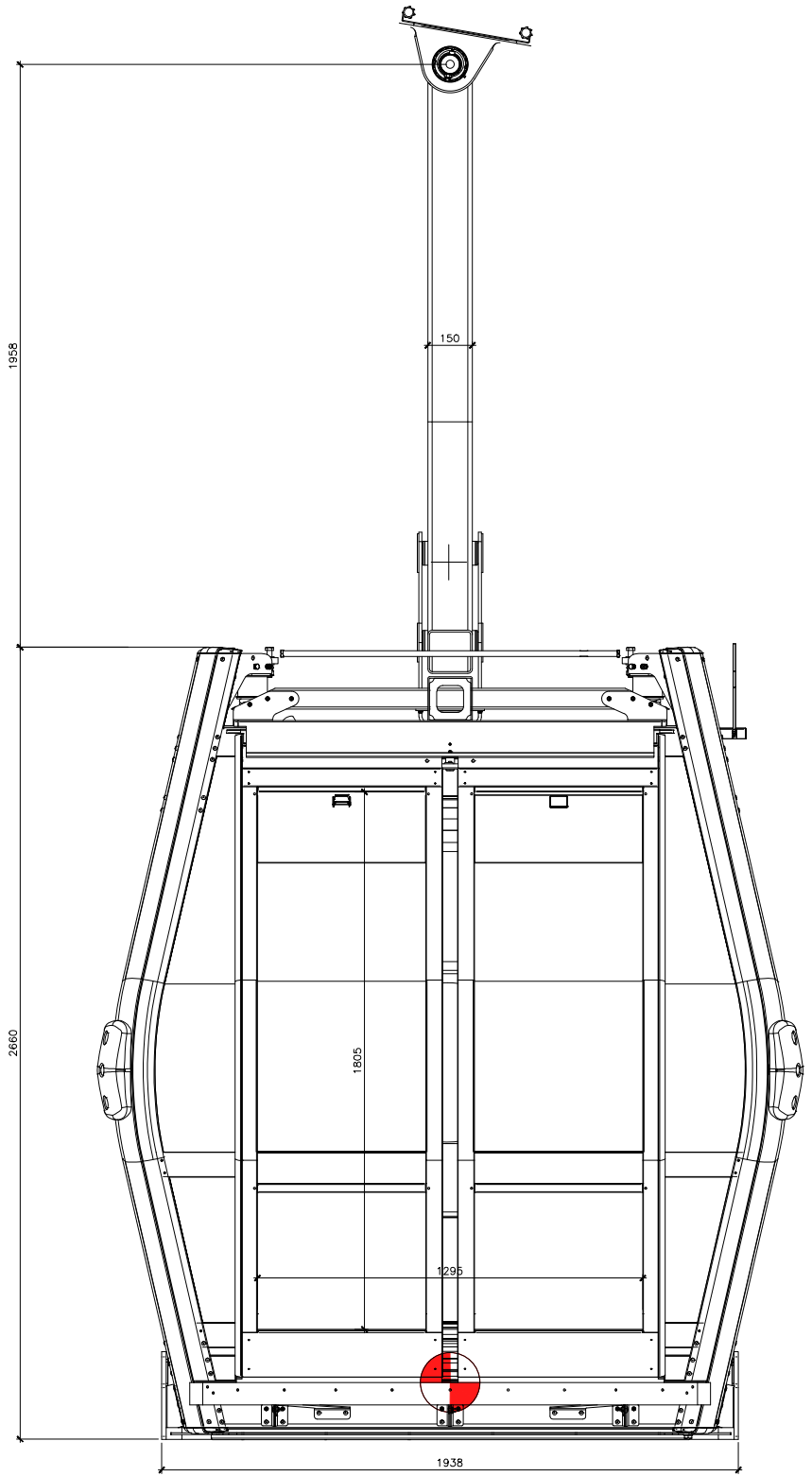
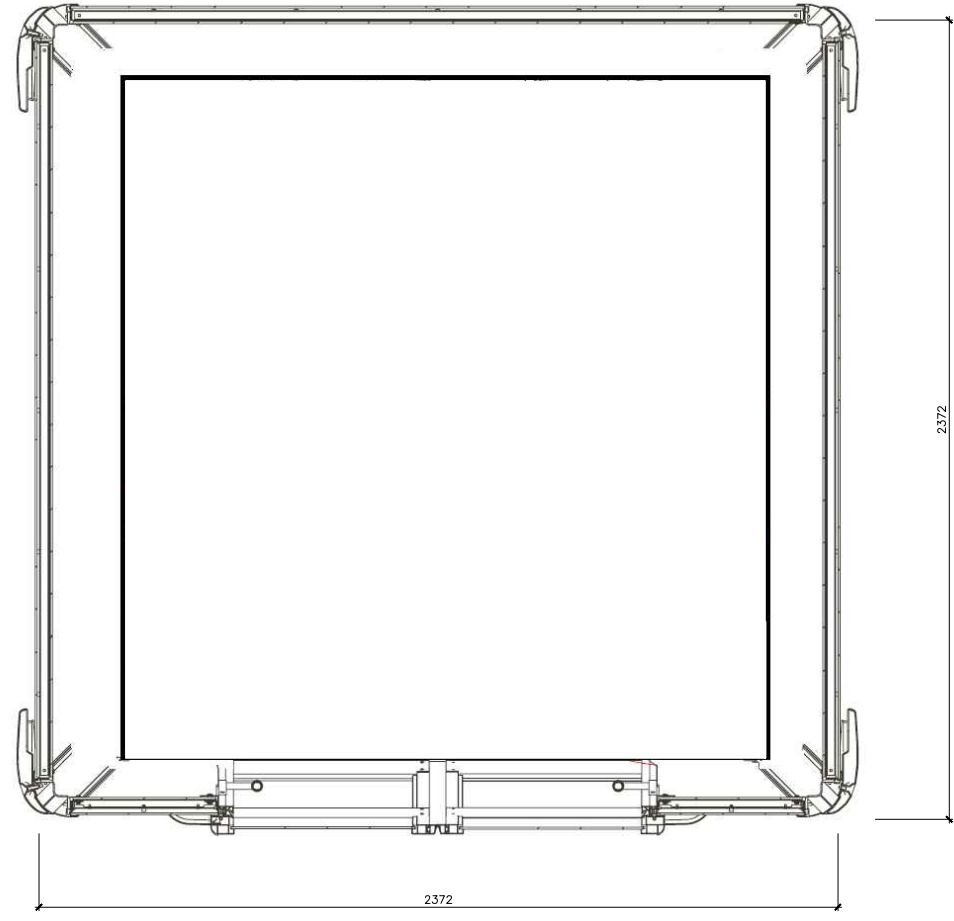


- NOTES:**
1. ALL DIMENSIONS IN MILLIMETERS, UNLESS OTHERWISE NOTED.
 2. ALL LEVELS ARE IN METRES TO ORDNANCE DATUM MALIN HEAD.
 3. ALL CO-ORDINATES ARE IN METRES TO IRISH TRANSVERSE MERCATOR (ITM).



SECTION ON PROPOSED CABIN
 A1 SCALE 1:12
 A3 SCALE 1:24



PLAN ON TYPICAL CABIN LAYOUT
 A1 SCALE NTS
 A3 SCALE NTS



PHOTO OF PROPOSED CABIN



PHOTO OF PROPOSED CABIN



DURSEY ISLAND CABLE CAR & VISITOR CENTRE DEVELOPMENT

ENVIRONMENTAL IMPACT ASSESSMENT REPORT



72 South Mall,
 Cork,
 T12 VX9A
 t +353 (0)21 4320744
 mail@stwarchitects.com
 www.stwarchitects.com

Architects and Urban Designers



Arena House, Arena
 Road, Sandyford,
 Dublin 18, Ireland
 t +353 (0) 1 294 0800
 f +353 (0) 1 294 0820
 www.rod.ie

Consulting Engineers
 Civil - Structural - Transportation - Environmental

Drawn MN	Designed PK	Checked JK	Approved TD	Suitability Code - Description S4 - Stage Approval
-------------	----------------	---------------	----------------	---

Project Stage	E.I.A.R.				
Project Title	Durseley Island Cable Car & Visitor Centre Development				
Drawing Title	Figure 4.26 Cableway Cabin Section and Plan				
Drawing Number	Project	Originator	Volume	Location	Type Role Number
	DCCVC	ROD	STR	SW_AE	DR - CB - 4.26
Scale (A1)	AS SHOWN	Date:	MAY 2019	Job No:	18.148
				Rev:	-